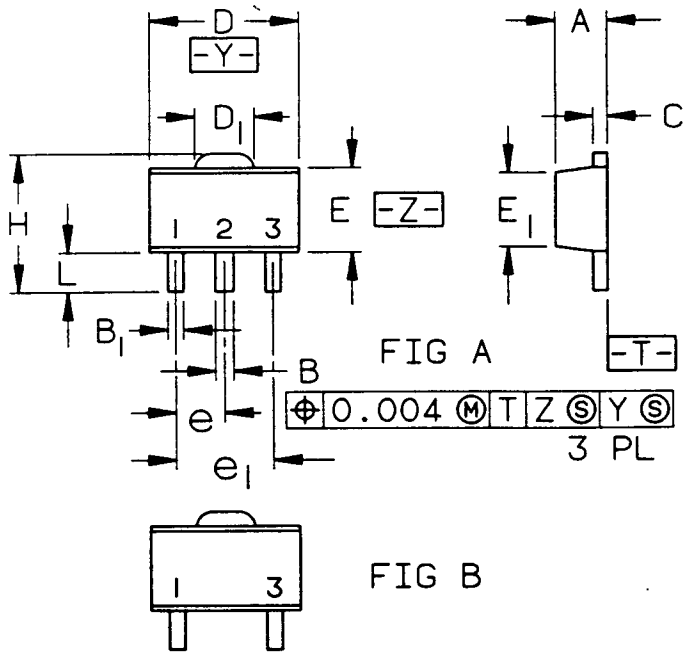


NOTES

1. REFER TO APPLICABLE SYMBOL LIST.
2. DIMENSIONING AND TOLERANCING PER ANSI Y14.5M, 1982.
3. DIMENSION B₁, 2 PLACES.
4. CONTROLLING DIMENSION: MILLIMETERS.

SYMBOL	VARIATIONS (ALL DIMENSIONS SHOWN IN MILLIMETERS)												
	AA		NOTE	AB		NOTE			NOTE			NOTE	
	MIN.	MAX.		MIN.	MAX.		MIN.	MAX.		MIN.	MAX.		
A	1.40	1.60		1.40	1.60								
B	0.44	0.56		---	---								
B ₁	0.36	0.48	3	0.36	0.48	3							
C	0.35	0.44		0.35	0.44								
D	4.40	4.60		4.40	4.60								
D ₁	1.62	1.83		1.62	1.83								
E	2.29	2.60		2.29	2.60								
E ₁	2.13	2.29		2.13	2.29								
e	1.50 BSC			---									
e ₁	3.00 BSC			3.00 BSC									
H	3.94	4.25		3.94	4.25								
L	0.89	1.20		0.89	1.20								
NOTE	1,2,4 (FIG A)			1,2,4 (FIG B)									
REF	SOT 89/Item 113			Item 10-213									
ISSUE	B 4/84			C									
JEDEC SOLID STATE PRODUCT OUTLINES				TITLE HEADER FAMILY (PERIPHERAL TERMINALS) REGISTRATION				ISSUE C		DATE 7/15/86		TO-243	



NOTES

1. REFER TO APPLICABLE SYMBOL LIST.
2. DIMENSIONING AND TOLERANCING PER ANSI Y14.5M, 1982.
3. DIMENSION B₁, 2 PLACES.
4. CONTROLLING DIMENSION: MILLIMETERS.

SYMBOL	VARIATIONS (ALL DIMENSIONS SHOWN IN INCHES)												
	AA		NOTE	AB		NOTE			NOTE			NOTE	
	MIN.	MAX.		MIN.	MAX.		MIN.	MAX.		MIN.	MAX.		
A	.055	.063		.055	.063								
B	.017	.022		---	---								
B ₁	.014	.019	3	.014	.019	3							
C	.014	.017		.014	.017								
D	.173	.181		.173	.181								
D ₁	.064	.072		.064	.072								
E	.090	.102		.090	.102								
E ₁	.084	.090		.084	.090								
e	.059	BSC		---	---								
e ₁	.118	BSC		.118	BSC								
H	.155	.167		.155	.167								
L	.035	.047		.035	.047								
NOTE	1,2,4 (FIG A)			1,2,4 (FIG B)									
REF	SOT 89/Item 113			Item 10-213									
ISSUE	B 4/84			C									
JEDEC SOLID STATE PRODUCT OUTLINES				TITLE HEADER FAMILY (PERIPHERAL TERMINALS) REGISTRATION				ISSUE C		DATE 7/15/86		TO-243	