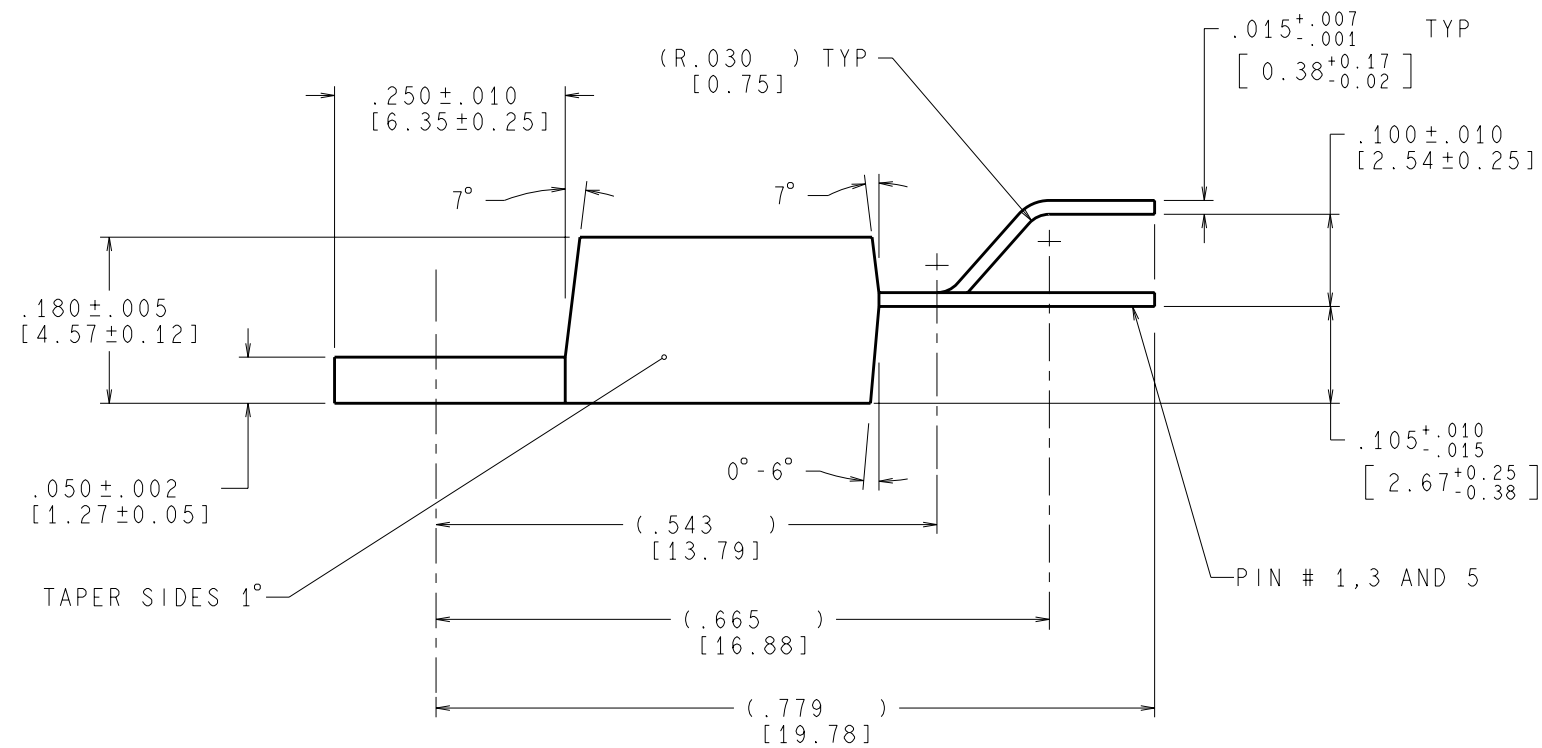
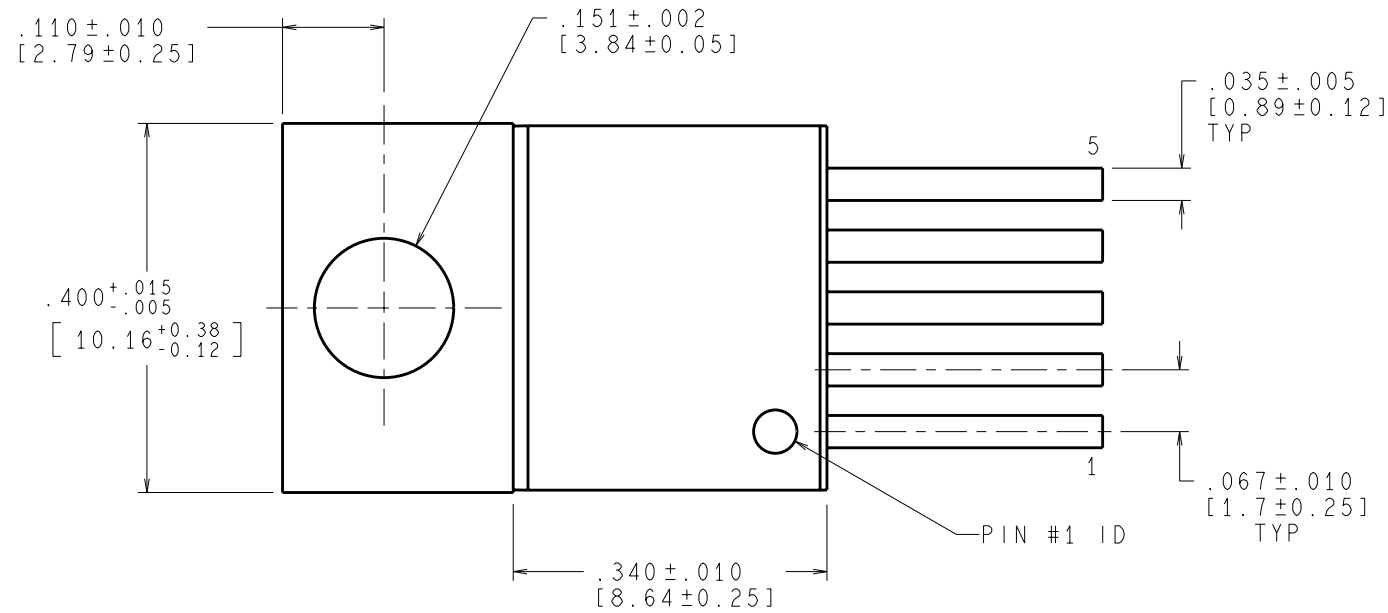


REVISIONS				
LTR	DESCRIPTION	E.C.N.	DATE	BY/APP'D
A	RELEASE TO DOCUMENT CONTROL	12299	11/30/1999	NR/MS/TG



CONTROLLING DIMENSION IS INCH
VALUES IN [] ARE MILLIMETER

NOTES: UNLESS OTHERWISE SPECIFIED

- STANDARD LEAD FINISH:
200 MICROINCHES/5.08 MICROMETERS MINIMUM LEAD/TIN 15/85
ON OLIN 194 OR EQUIVALENT.
- BODY DIMENSIONS BASED ON JEDEC STANDARD, TO-220,
VARIATION AB, ISSUE J, DATED 3-24-87.
- NO JEDEC REGISTRATION AS OF SEPTEMBER 1999.

APPROVALS	DATE	National Semiconductor			
DRAWN NOR A. R.	11/30/1999	2900 Semiconductor dr., Santa Clara, CA 95052-8090			
DFTG. CHK. THANH LEQUANG	12/02/1999	TO-220, MOLDED, 5 LEAD, STAGGERED, SHORT LEAD			
ENGR. CHK. T. O. GOH	11/30/1999				
PROJECTION		SCALE	SIZE	DRAWING NUMBER	REV
INCH [MM]		N/A	C	(SC)MKT-TA05F	A
DO NOT SCALE DRAWING					SHEET 1 of 1